

Price list

Spare parts for Handmixer Collomatic® RG/E 150, 230 V

Product group 901

No.	Ref.- No.	Designation	Price €
1	24.526	Hood	3,32
2	24.528	Pan-head tapping screw 4,8x50	0,87
3	26.120	Rotor	108,39
4	29.544	Ball bearing 608 2RS	5,83
5	24.550	Circlip	0,69
6	26.121	Brush holder	7,46
7	26.122	Brush assy	3,83
8	26.123	Spring washer corrugated	0,15
9	26.124	Screw	0,15
10	26.125	Circlip	0,15
11	24.577	Grooved pin DIN 1474 4x16 steel	0,28
12	26.126	O-ring-joint 22 x 2,5	0,51
13	24.528	Pan-head tapping screw 4,8x50	0,87
14	24.523	Ball bearing 6001 2Z	8,18
15	26.127	Gearing end plate	37,58
16	26.128	Housing	57,26
18	26.144	Spindle with 2 pinions complete	55,48
19	26.023	Switch for gear complete	2,97
20	26.026	Coupling pin	11,35
21	26.018	Ball bearing 6004 2RS	12,02
22	26.040	Gear sealing	2,05
23	26.015	Spindle	30,68

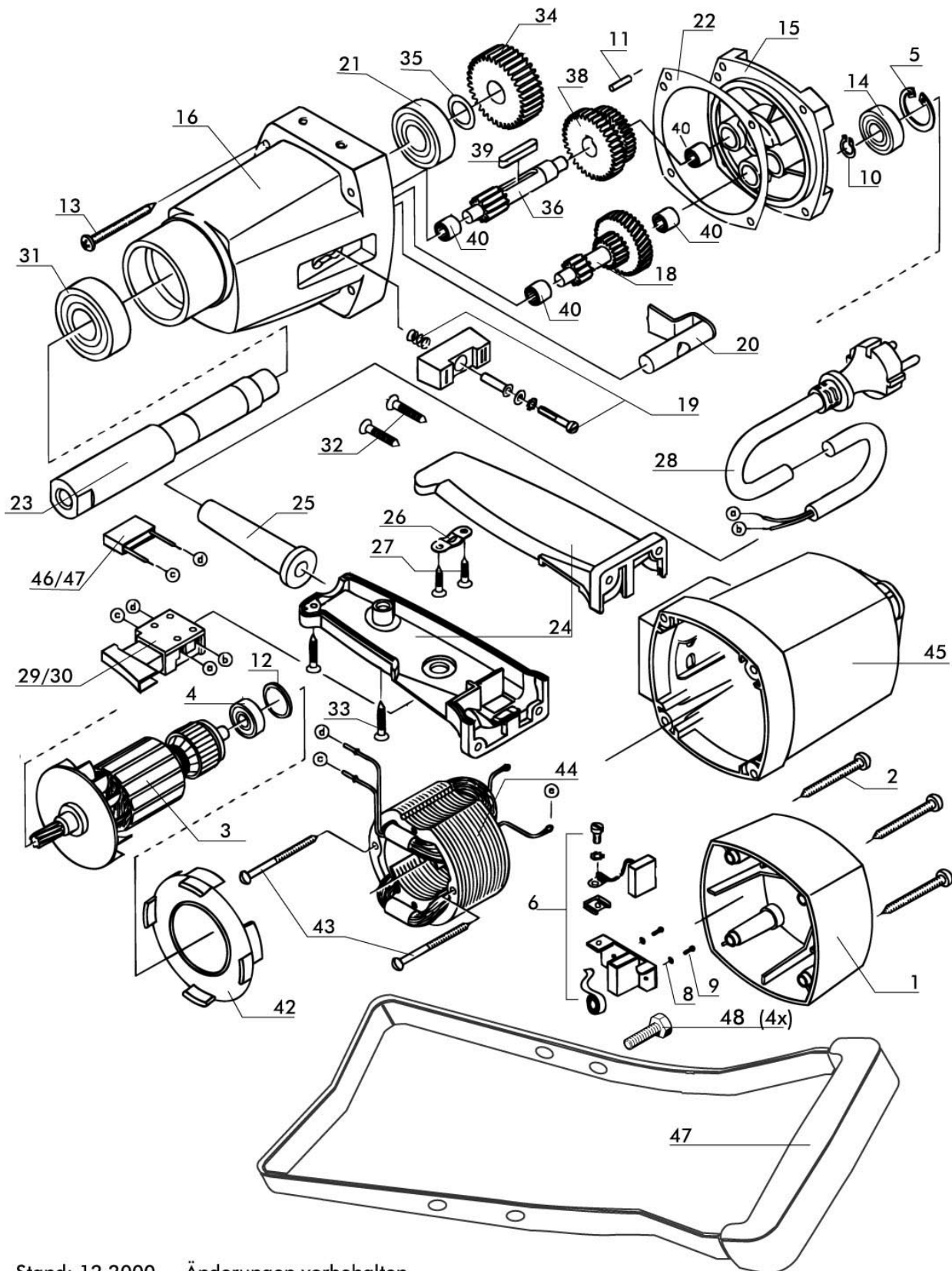
No.	Ref.- No.	Designation	Price €
24	26.130	Handle pair	15,49
25	24.511	Cable clamp	2,56
26	26.131	Strain relief clamp	0,77
27	24.531	Pan-head tapping screw	0,36
28	23.557	Mains cable with plug	9,20
29	26.132	Flip-Flop switch electronic (RGE)	26,08
30	26.133	Flip-Flop switch (RG)	13,04
31	26.016	Ball bearing 6204 2RS	12,99
32	26.134	Sheet metal screw	0,31
33	26.135	Sheet metal screw	0,31
34	26.020	Spindle pivot	35,89
35	26.019	Adjusting washer	0,46
36	26.030	Spindle	26,59
38	26.021	Cluster gear	36,61
39	26.022	Pin	1,53
40	24.556	Needle bearing	8,18
42	26.137	Air conduction	3,53
43	24.540	Sheet metal screw	1,02
44	26.138	Stator	45,97
45	26.139	Motor housing	23,26
46	24.518	Anti-interference capacitor	5,83
	26.197	Frame complete	17,90

All prices are €, excl. VAT, delivery ex works Gaimersheim (EXW).

Collomatic

RGE 150 - 230V
RG 150 - 230V

Collomix®



Stand: 12.2000 Änderungen vorbehalten